

Off-Highway Systems

Transmissions / Transaxles, Driveshafts,
and Brakes for Outdoor Power Equipment
and Leisure/Utility Vehicles



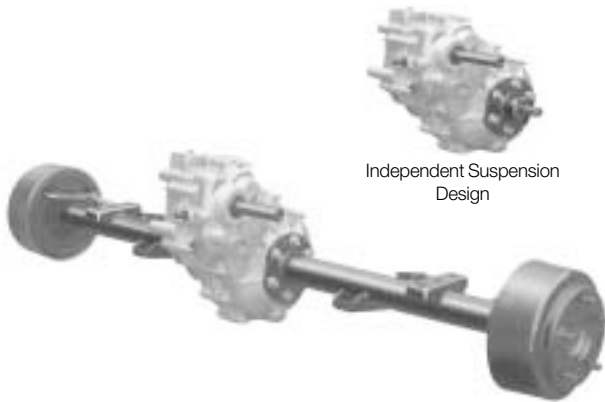
SPICER

Leisure / Utility Vehicles



MODEL H-12

- High Efficiency Model Features Quiet Helical Gear Design.
- Nominal Load Rating is 1500 lbs. (Heavy-duty Version is Available.)
- Designed to Accept Electric Motors.
- Available Ratios Range from 8.91 up to 14.76*.
- Input Torque Ratings: 12 ft.lbs. Continuous, 48 ft.lbs. Maximum Intermittent.
- Brakes Options Include 160mm (Mechanical or Hydraulic.) or 7" (Mechanical or Hydraulic).
- Wheel Mounting Options: 4 on 4" B.C. or 5 on 4.5" B.C.
- Optional Independent Suspension Design.



MODEL H-12 FNR

- High Efficiency Model Feature Constant Mesh Helical Gear Design.
- Nominal Load Rating is 1500 lbs. (Heavy-duty Version is Available).
- Mechanical "Rotary Actuating" Ground Speed Governor, (Optional).
- Mechanical "Rotary" Shift Forward to Reverse.
- Available Ratios:

Forward	10.15:1	12.58:1	13.25:1*
Reverse	11.00:1	13.64:1	14.36:1*
- Standard Input Torque Ratings: 24 ft.lbs Continuous, 96 ft.lbs. Maximum Intermittent.
- Brakes Options Include 160mm (Mechanical or Hydraulic) or 7" (Mechanical or Hydraulic).
- Wheel Mounting Options: 4 on 4" B.C. or 5 on 4.5" B.C.
- Optional Independent Suspension Design.



MODEL H-12 FNR with Mechanical Diff Lock

- High Efficiency Model Feature Constant Mesh Helical Gear Design.
- Nominal Load Rating is 1500 lbs. (Heavy-duty Version is Available).
- Mechanical "Rotary Actuating" Ground Speed Governor, (Optional).
- Mechanical "Rotary" Shift Forward to Reverse.
- Available Ratios:

Forward	10.15:1	12.58:1	13.25:1*
Reverse	11.00:1	13.64:1	14.36:1*
- Standard Input Torque Ratings: 24 ft.lbs Continuous, 96 ft.lbs. Maximum Intermittent.
- Brakes Options Include 160mm (Mechanical or Hydraulic) or 7" (Mechanical or Hydraulic).
- Wheel Mounting Options: 4 on 4" B.C. or 5 on 4.5" B.C.
- Optional Independent Suspension Design.
- Bolt-on Module Provides Manual Operation to Lock/Unlock the Differential.
- Rotary Actuator with Lever is Available in four Different Locations.

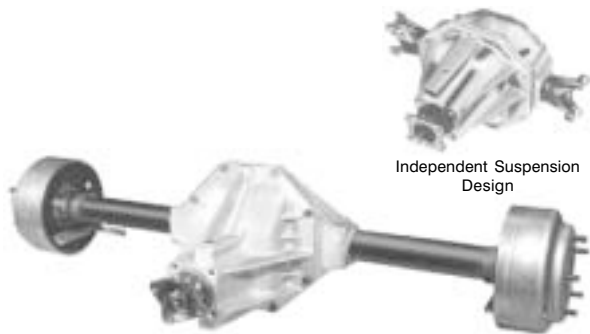


MODEL GT-20 AXLES

- In-line Hydrostatic Transaxle Design.
- Nominal Load Capacity is 1800 lbs. (Heavy-duty Version is Available).
- Available Ratios: 15.17:1, 20.9:1 and 30.0:1.
- Brakes Options Include 7" (Mechanical or Hydraulic).
- Wheel Mounting Options: 4 on 4" B.C. or 5 on 4.5" B.C.
- Optional Limited Slip Differential.
- Optional Independent Suspension Design.

*Other ratios available upon request.

Leisure / Utility Vehicles (Cont)



MODEL 18 AXLES

- Features Conventional Driveshaft Design.
- Nominal Load Capacity is 1800 lbs. (Heavy-duty Version is Available)
- Designed and Rated for 12 to 18 hp Engines.
- Available Ratios: 5.17:1, 12.25:1.
- Brake Options Include 7" (Mechanical or Hydraulic).
- Wheel Mounting Options: 4 on 4" B.C. or 5 on 4.5" B.C.
- Optional Limited Slip Differential.
- Optional Independent Suspension Design.

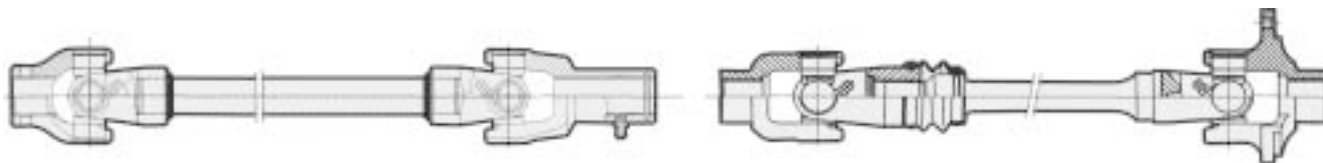
Driveshafts

Ayra-Cardan

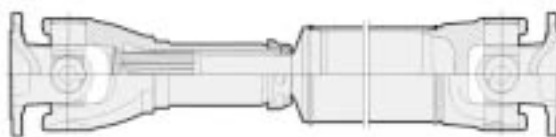
The newest addition to the Spicer family of products allows Spicer to target smaller application such as the All-Terrain Vehicles (ATVs) and leisure/utility vehicles. With torque capacities ranging from 825 Nm to 2400 Nm, Spicer Ayra-Cardan has the right driveshaft to fit your smallest application.

Design Features

- Reduced Weight
- Maintenance Free
- Smaller Swing Diameter
- Improved Retention: Circlip and Staked



DRIVESHAFT SERIES	TORSIONAL RATING		MAX. SWING DIA.	
	Ft. Lb.	Nm	In.	MM
S.100	608.49	825	1.87	60.0
S.103	737.56	1000	2.16	65.0



DRIVESHAFT SERIES	TORSIONAL RATING		MAX. SWING DIA.	
	Ft. Lb.	Nm	In.	MM
S.1120	1032.59	1400	2.42	76.0
S.1125	1327.61	1800	2.52	84.0
S.1300	1770.15	2400	2.94	90.0

For additional configurations, contact Spicer Driveshaft Engineering for specific application information.

Available on Request

- Paint on Request
- Special Types
- SAE & DIN Adapters
- Permanent Lubrication for High and Low Temperatures

Brake Assemblies



160 x 30mm HYDRAULIC BRAKE

- Nominal Torque Rating 5,000 in.-lbs.
 - Available with or without Parking Lever.
 - Automatic Adjustment.
 - Non-Servo Floating Shoe Design.
 - Non-Asbestos Linings.
 - Available on Model H-12 and H-12 FNR Axles.
-



160 X 30mm MECHANICAL BRAKE

- Nominal Torque Rating 5,000 in.-lbs.
 - Automatic Adjustment.
 - Non-Servo Floating Shoe Design.
 - Non-Asbestos Linings.
 - Available on Model H-12 and H-12 FNR Axles.
-



200 X 45mm HYDRAULIC BRAKE with PARKING

- Nominal Torque Rating 8,500 in.-lbs.
 - Automatic Adjustment.
 - Duo-Servo Fixed Shoe Design.
 - Non-Asbestos Linings.
-



7.0 X 1.75 in. HYDRAULIC BRAKE

- Nominal Torque rating 11,000 in.-lbs.
 - Available with or without Parking Lever.
 - Manual Adjustment.
 - Duo-Servo floating Shoe Design.
 - Non-Asbestos Linings.
 - Available on Model H-12, H-12 FNR, 18 and GT-20 Axles.
-



7.0 X 1.75 in. MECHANICAL BRAKE

- Nominal Torque Rating 11,000 in.-lbs.
 - Manual Adjustment.
 - Duo-Servo Floating Shoe Design.
 - Non-Asbestos Linings.
 - Available on Model H-12, H-12 FNR, 18 and GT-20 Axles.
-

Outdoor Power Equipment



MODEL 4360

- Compact Transaxle with up to Six Speeds Forward and One Reverse.
- Designed Specifically for Front Engine Lawn Tractors.
- Available Ratios: Reverse-40:1, 1st-61.67:1, 2nd-46.67:1, 3rd-30:1, 4th-20:1, 5th-15.7:1 and 6th-12.28:1*.
- Disc Brake Option can also be used as a Park Brake.
- Lubed for Life.
- Axle Shaft Diameter .750 in.
- Input Shaft Diameter .625 in.
- Optional Neutral or Reverse Sensing Switch.



MODEL 6200

- High- performance Single Speed Transmission for Walk-Behind Mowers.
- Reduction Ratio is 3.75:1.
- Input Speed up to 1800 RPM.
- Housing is Constructed of a Durable, Impact Resistant DuPont Composite Material.
- Engagement / Disengagement is Controlled by a Dog Type Clutch.
- Lubed for Life.
- Output Shaft Diameter .500 in.



MODEL 6500 HYDROSTATIC TRANSAXLE

- Environmentally Protected Brake.
- Push Valve.
- Integrated Sealed Reservoir.
- Wide Band Neutral.
- Neutral Centering Control.
- Input Shaft Diameter - 17mm.
- Axle Diameter - .75 in.
- Designed specifically for Front Engine Lawn Tractors.



MODEL 6700

- High Performance Single Speed Transmission for Walk-Behind Mowers.
- Reduction Ratio is 3.75:1.
- Input Speed up to 1800 RPM.
- Housing is Constructed of a Durable, Impact Resistant DuPont Composite Material.
- Lubed for Life.
- Output Shaft Diameter .500 In.
- No Clutch.

*Other ratios available upon request.

Off-Highway Systems

Asia Pacific (China): 86 2 153 831100

Asia Pacific (Korea): 82 2 563 9451

Europe (Italy): 39 0464 580227

North America (USA): 704 878 5886

South America (Brazil): 55 15 3238 6092

Application Policy

Capability ratings, features, and specifications vary depending upon the model, type of application, and type of service. Application approvals must be obtained from Spicer. We reserve the right to change or modify our products or our product specifications, configurations, or dimensions at any time without notice.

